

2016 Mic Comparison

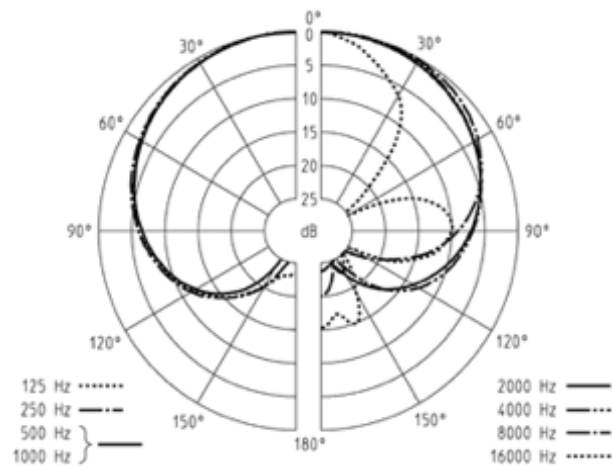
	ME-64	ME-66	SVM
Pick-up pattern	cardioid	super-cardioid/lobar	super-cardioid
Frequency response Hz	40 - 20,000 \pm 2.5 dB	40 - 20,000 Hz \pm 2.5 dB	40 - 20kHz selectable High Pass Filter
Output Impedance	200 Ω w/ K6	200 Ω w/ K6	200 Ω
Sensitivity (1 kHz) dB**	31 mV/Pa \pm 2.5 dB	50 mV/Pa \pm 2.5 dB*	12.6 mV @ 94 dB SPL \pm 2
Equivalent Noise Level	16 dB***	10 dB***	20 dB SPL ***
CCIR-weighted (CCIR 468-3)	25 dB	21 dB	
Dynamic Range		115 dB SPL (A wtd per IEC651)	
Maximum SPL (1kHz @1% THD): Signal / Noise	130 dB	126 dB 74 dB SPL	134 dB SPL (1K Ω load)

* free field, no load

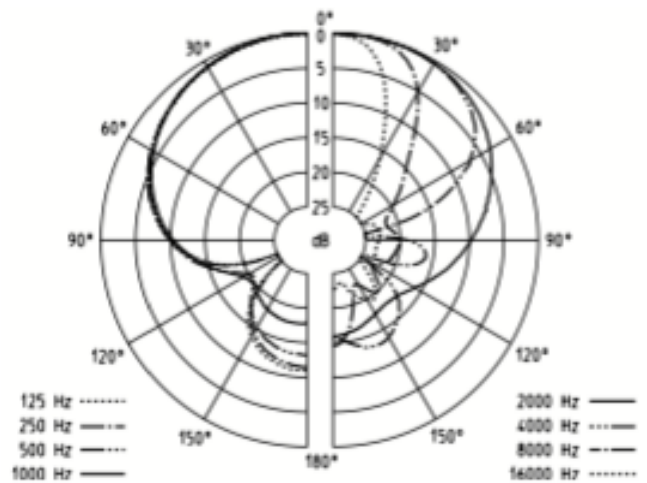
** -38 dB re 1 Volt/Pascal

*** A-weighted (DIN IEC 651);

ME-64



ME-66



RØDE SVM

