

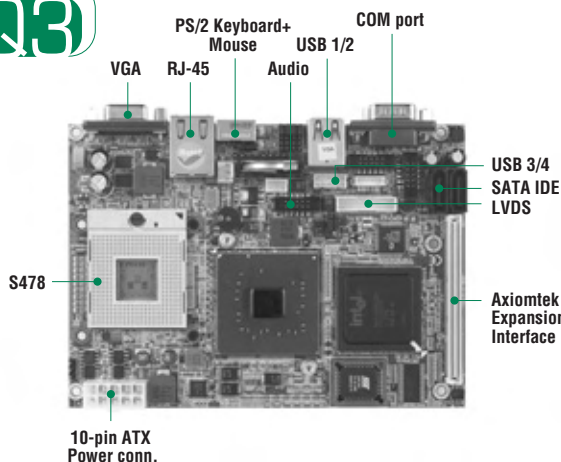
SBC84830

Socket M Intel® Core™ 2 Duo Embedded SBC with DualView, SATA and PCI Express Support

3

Embedded Computing Platforms

Available
Q3



- P-M/C-M
- Ethernet
- DualView
- AC'97 Audio
- CompactFlash™
- 4 USB 2.0
- 2 COM



Features

- ▶ Socket M (478-pin) for Intel® Core™2 Duo/Core™ Duo/Core™ Solo/Celeron® M processor with FSB 533/667MHz
- ▶ DualView with different content & resolution
- ▶ 4 USB 2.0 ports for high speed peripherals
- ▶ Serial ATA-150 supported
- ▶ PCI Express and PCI Extension through stacking kits

Packing List

Quick installation guide
Manual, driver, CPU Cooler & Utility CD

Ordering Information

Standard	
SBC84830VGA-L	Socket M with CRT/LVDS LCD, Gigabit Ethernet, AC'97 Audio and 2 COM ports
Optional	
SBC84830VGA	Socket M with CRT/LVDS LCD, Gigabit Ethernet, AC'97 Audio, Mini PCI and 4 COM ports (Via AX93200C)
SBC84830VGA	Socket M with CRT/LVDS LCD, AC'97 Audio and 2 COM ports, Mini PCI and Dual Gigabit Ethernet (via AX93201)
SBC84830VGA-1GL	With onboard ULV423 Intel® C-M 1GHz with CRT/LVDS, Gigabit Ethernet, AC'97 Audio and 2 COM Ports

System

CPU	Socket M (478-pin) for Intel® Core™2 Duo/Core™ Duo/Core™ Solo/Celeron® M processor with FSB 533/667MHz; ULV Intel® 423 1.06GHz/1MB processor for onboard option
System Memory	1 x 200-pin DDR2-400/533/667 SDRAM SODIMM, Max. 2GB
Chipset	Intel® 945GME+ICH7M
BIOS	Phoenix-Award 4Mbit with RPL/PXE LAN Boot ROM, SmartView and Customer CMOS Backup
SSD	CompactFlash™ Type-II with DMA mode support
Watchdog Timer	255 levels as SMI and Reset from 0~255 seconds
Expansion Interface	ECX expansion interface for PCI Express, PCI and SDVO extension
Battery Lithium	3V/196 mAH
Size/Weight	146 x 102 mm
Temperature	0~60°C, operation
Operation Humidity	10% ~ 95% relative humidity, non-condensing

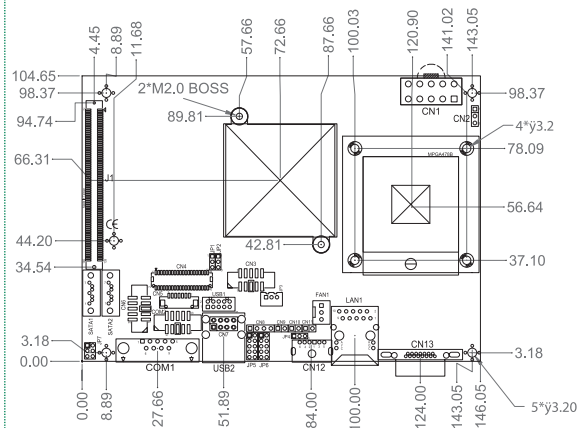
I/O

MIO	2 x SATA-150 IDE, 1 x PS/2 K/B, 1 x PS/2 MS, 2 x COM (1 x RS-232, 1 x RS-232/422/485), 1 x LPT, 1 x IrDA, optional COM 3/4 as RS-232 via AX93200C stacking kit
Ethernet	RTL8111B for Gigabit Ethernet controllers Optional 2nd LAN via AX93201 stacking board

Display

Chipset	Integrated in Intel® 945GME GMCH
Memory	Size Max. up to 224MB frame buffer sharing system memory
Resolution	* Single Display Mode: CRT: 2548 x 1536; 1 st LVDS LCD: 1600 x 1200; 2 nd LVDS LCD: 1600 x 1200 (optional) * DualView Mode: CRT: 2548 x 1536; 1 st LVDS LCD: 1600 x 1200; 2 nd LVDS LCD: 1600 x 1200 (optional)
Output Interface	* CRT connection for DAC output * 1 st LVDS LCD with 1 x 40-pin connectors * 2 nd LVDS LCD with 1 x 40-pin connectors (AX93208) * DVI LCD with 1 x 20-pin connector (AX93222D)

Dimensions



* All specifications and photos are subject to change without notice.

ECP Services and Solutions

Computer-On-Module Solutions

Mini ITX SBC

3.5" Capa Boards

EPIC Boards

5.25" Petit Boards & Accessories

Half-size CPU Cards, Backplanes

PC104 Modules

Mini PCI Modules

Embedded eBOX Systems & MicroBoxes

Power Supplies

Appendix