

# "Pixel Compensation" Procedure for GY-HM700

- step 1. Warm-up GY-HM700 well (approx. 10min of running, longer if possible).  
Select camera resolution: **720 60p(HQ)** (see details on next page).  
Connect the lens cable to the camera.
- step 2. Turn the power off.
- step 3. Hold down the "DISPLAY" button and turn the "POWER" switch on.
- step 4. Press both "FOCUS ASSIST" and "MENU" buttons at the same time.  
**NOTE:** Use the "FOCUS ASSIST" button located above the "USER 1" button on the side panel, **not** the "F. A." button on top of the handle.
- step 5. Select "ADVANCED FUNCTION".
- step 6. Select "PIXEL COMPEN DET" then use up/down arrows to select "EXECUTE" and press the "SET" key.

-END OF PROCEDURE-

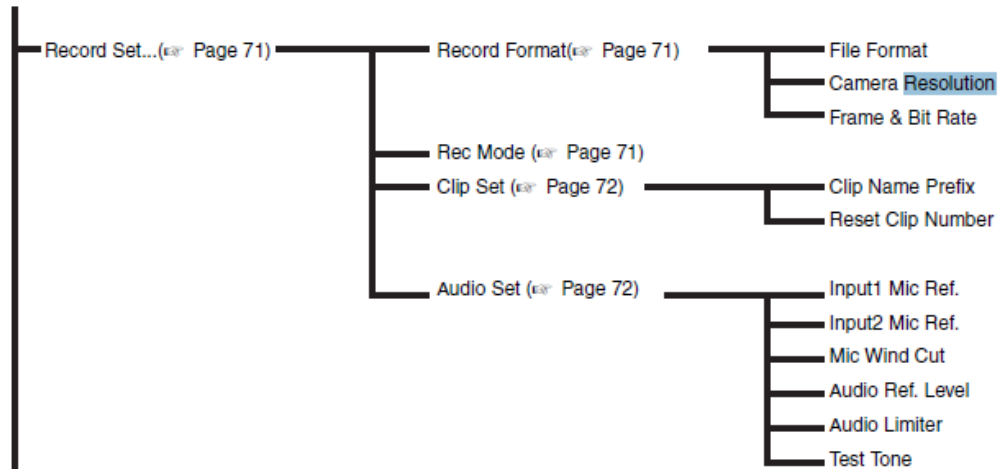
# Supplementary Explanation

## Step 1.

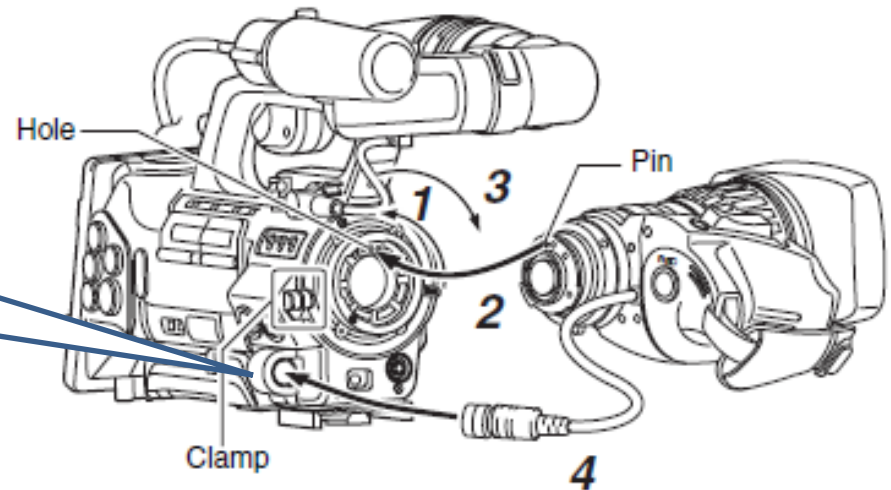
### Selecting a Camera Resolution: 720 60p(HQ)

Select [Record Format] from the list of formats.  
The selectable [Frame & Bit Rate] changes according to the settings of [File Format] and [Camera Resolution].

Main Menu... (☞ Page 70)

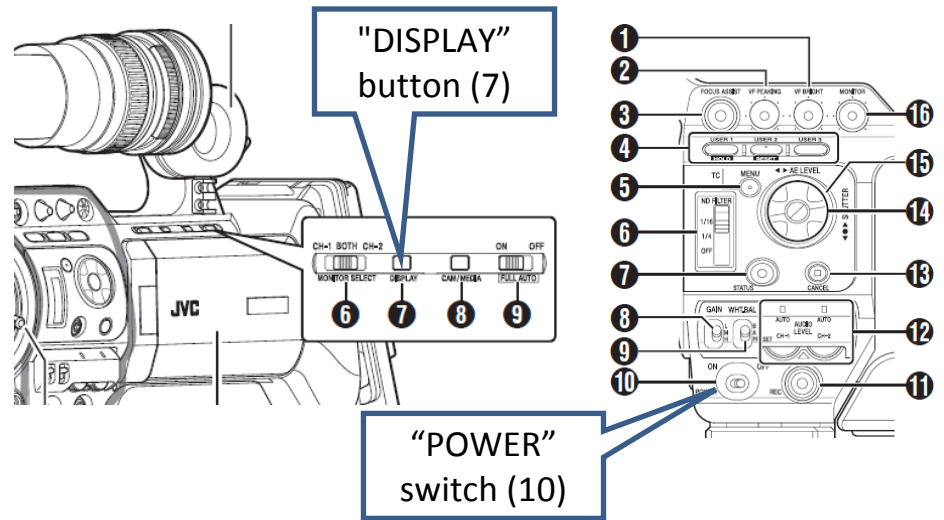


Connect lens cable to the GY-HM700



### Step 3.

Hold down the "DISPLAY" button (7) and turn on the "POWER" switch (10).



### Step 4.

Press both the "FOCUS ASSIST" button (3) and the "MENU" button (5) at the same time. Use the "FOCUS ASSIST" button on the side panel, not the one on top of the handle.

