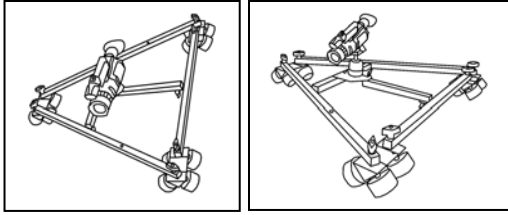


STEP VII :

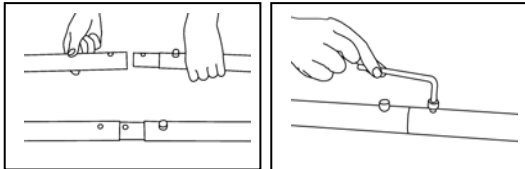
Now attach the camera to the Dolly. You can attach the camera directly or with the ball head.



You can attach the camera mounting post to three directions i.e. right, center and left.

STEP VIII:

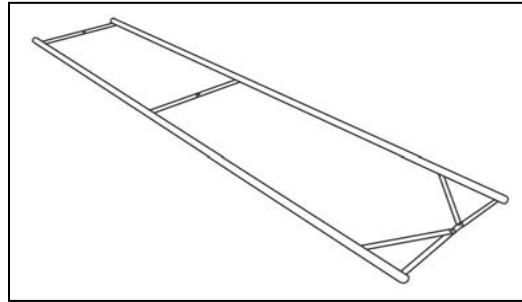
Now assemble the track. Track has 6 sections of 4 feet each, 4 with black Nylon bush on one side & 2 hollow rods. Remove the screws from the nylon bushes & attach the rods by inserting the nylon bush to the other rod. Tighten the screw to attach it properly.



STEP IX :

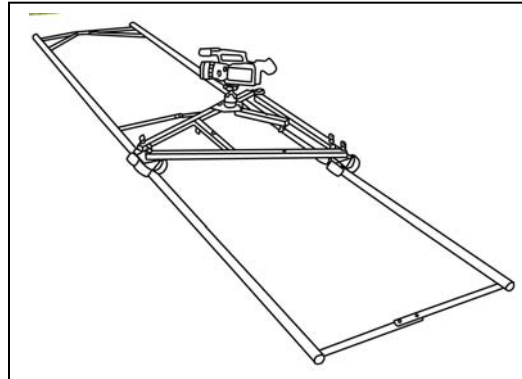
The rods have the center connectors as well. 2 rods have one connector at one side, 2 have 2 connectors (one at side & one at center) & the other 2 have connectors at center only. These connectors are provided to keep the track in one stable platform so that it will not move with the movements of Dolly. Attach the connectors with the

help of bolts & locking pin provided. Note : Screw side should have to be downwards towards the ground.



STEP X :

Finally, the Swift Dolly is ready for use..



Note : You can also use the tripod on the dolly. (We don't provide Tripod Leg Tie with this Dolly Kit).



Swift Dolly with 12' Portable Aluminium Track for dv / hdv cams



“ A must for active film makers of the present time !! “

Enjoy the easiness & smoothness !!!

INTRODUCTION :

Swift dolly can accommodate all DV & HDV cameras, tripod and rigs. The swift dolly is skillfully made and the set up is quick and easy. Our swift dolly track can also work with other dolly systems because the outer diameter of this track is the same as of the standard track.

Swift dolly allows you to mount your camera directly on the dolly (at floor level), on ball head as well on tripod to achieve different level of shots. The camera base pivots left, right and center. You can get angle at any of the three positions available .

It slides on 28.5" wide and 12 feet long track.

PACKAGE INCLUDES :

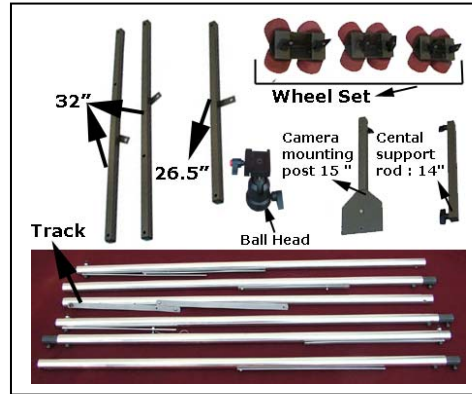
Once you have your Dolly system, you have to check for the package contents, whether you have received all the contents according to your purchase or not.

Standard Package of Swift Dolly :

When you unpack the shipment, you will receive it unassembled. Take of all the packaging material and check that you have received all the parts.

Contents of Shipping Boxes :

- Straight 12' track (6 aluminum rods)
- 3 * Wheel Set
- Dolly Rods (3 * square rods)
- Camera mount base with universal camera mounting screw
- Ball Head with small quick release
- Manual (User's Guide)



DIAMENSIONS:

Dolly dimensions :

- Rod Diameter : 1" and square in shape
- 2 * 32" square rods
- 1 * 26.5 " Square rods
- Camera mounting post : 15 "
- Central supportive rod : 14"
- Ball head (4") with quick release

Track dimensions :

- Track rods length : 4' each
- Tracks Central Distance :28.5"
- Track diameter : 25.4mm

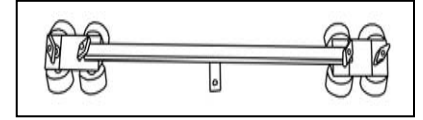
ASSEMBLING :

STEP I :

Take out the wheels and detach the knobs from the screws.

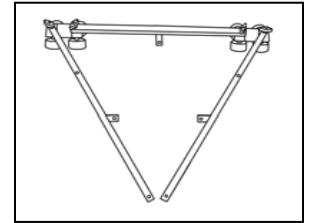
STEP II :

Attach the 26.5 " rod to two wheels set.



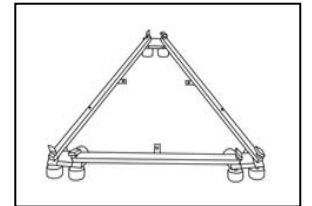
STEP III :

Now, attach the 32" rods to both sides.



STEP IV :

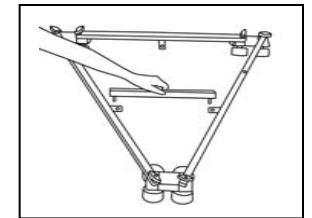
Then attach the third wheel set to the 32" rods.



STEP V :

Attach the central support rod 14 " to 32" to 32" dolly rods.

Tighten the screw/bolt to attach it.



STEP VI :

Attach camera mounting post 15" to the central support rod & 26.5" rod.

Tighten the bolt/ screws to attach it

