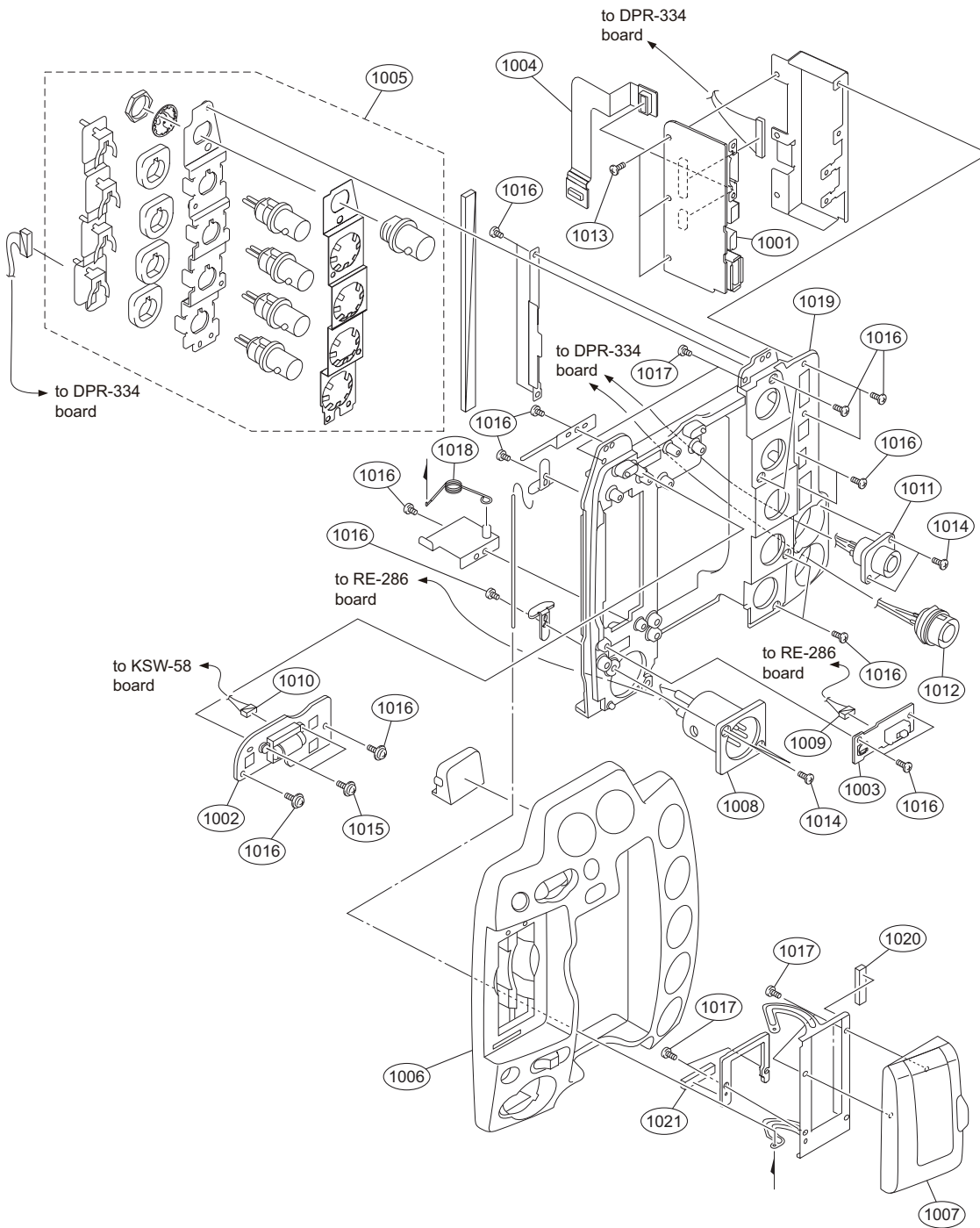


## Rear panel assembly



No.	Part No.	SP	Description	No.	Part No.	SP	Description
1001	A-1799-074-A	s	MOUNTED CIRCUIT BOARD, DIF-209	1014	3-637-901-11	s	SCREW M2.6X5
1002	A-1799-081-A	s	MOUNTED CIRCUIT BOARD, SW-1509	1015	3-729-013-21	s	SCREW (M1.4X2.5), WASHERHEAD (+P)
1003	A-1799-082-A	s	MOUNTED CIRCUIT BOARD, PSW-96	1016	3-968-729-52	s	SCREW (M2), LOCK ACE, P2
1004	A-1799-147-A	s	MOUNTED CIRCUIT BOARD, HN-372	1017	3-080-206-21	s	SCREW, TAPPING, P2
1005	A-1799-150-A	s	MOUNTED CIRCUIT BOARD, IO-250	1018	4-275-131-02	s	SXS SPRING (0.6)
1006	X-2580-839-2	s	COVER ASSY, REAR PANEL	1019	4-275-134-01	s	PANEL, REAR
1007	X-2580-840-1	s	COVER ASSY (SXS)	1020	4-277-556-02	s	SXS CUSHION
1008	1-967-669-11	s	HARNESS, SUB (DC IN)	1021	4-279-161-01	s	SXS SUB CUSHION
1009	1-967-670-12	s	HARNESS, SUB (POWER SW)				
1010	1-967-671-11	s	HARNESS, SUB (REAR SW)				
1011	1-967-672-11	s	HARNESS, SUB (RM)				
1012	1-967-673-12	s	HARNESS, SUB (3D)				
1013	3-080-203-31	s	SREW (M2), LOCK ACE, P2				